

RX-W32 Surveillance LCD Display

Product Introduction

Date: July 01, 2012
Version: 7.0



RX-Series

Surveillance Performance

Bringing a widescreen format to high performance surveillance displays designed and tested for modern security environments

Content

- Market Position
- Selling Points
- Product Features
- Special Features
- Product Pictures
- Specification Overview
- Accessories

Market Position

RX-W32

Introducing the RX-W32, a large-format hard glass display designed for the serious surveillance centre. A high resolution 32" screen, image-enhancing 3D Comb Filter / 3D Deinterlace technology, and versatile Picture-in-Picture (PIP) options provide sharp images and features security professionals need. All this, plus protective NeoV™ Optical Glass and sturdy metal casing, makes the RX-W32 the most robust and advanced display choice for maximum surveillance performance.



Selling Points

RX-W32 Overview

- FHD 1920 x 1080 resolution
- 5000:1 contrast ratio
- NeoV™ Optical Glass
- Anti-Burn-in™ technology
- Horizontal resolution up to 620TVL (NTSC) 625TVL (PAL)
- Smart Omni Viewer: PIP, PBP and VOV functions
- Built-in Image Enhancer: 3D Comb Filter/ Deinterlace/ Noise Reduction
- Multiple video inputs (BNC in x2, BNC out x2)
- RS-232 for individual and multi-display control
- Built-in HDCP allows HD-format video
- Power DC-out design to power connected peripherals
- Selectable aspect ratio for ultimate image: Native, Overscan, Underscan
- NTSC/PAL video system support
- Quick signal-switching time
- Built-in speakers & IR remote control
- Durable metal housing
- Rigorous screening of the components for mission-critical 24/7 applications



NeoV™ Optical Glass - The most trusted hard glass protection available. Only on AG Neovo displays.



Product Features (page 1)

FHD 1920 x 1080 resolution

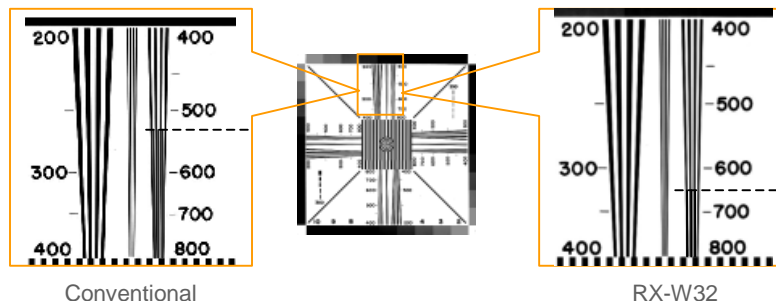
Different from other surveillance displays, the RX-W32 delivers a strong and clearer CCTV images without degradation

5000:1 Contrast Ratio

Crisp 5000 contrast ratio and high 450 brightness generate vibrant, detailed images and sharp graphics

High Image (Video) Resolution of 650 TV Lines

The Built-in Image Enhancer of AG Neovo's Advanced Image Platform™ flawlessly reproduces CCTV images at high resolutions of 620/PAL (600/NTSC) TV Lines



NeoV™ Optical Glass for hard glass protection

Product Features (page 2)

Quick Signal-switching

In order to attain the goal of not missing the rapid succession of images, the RX-W32 has been tuned for rapid signal-switching (0.8 sec.) between frames

Multiple connection inputs

Based on different surveillance needs, a combination of different video/audio ports can be used for more integrated solutions

NTSC/PAL Video System Support

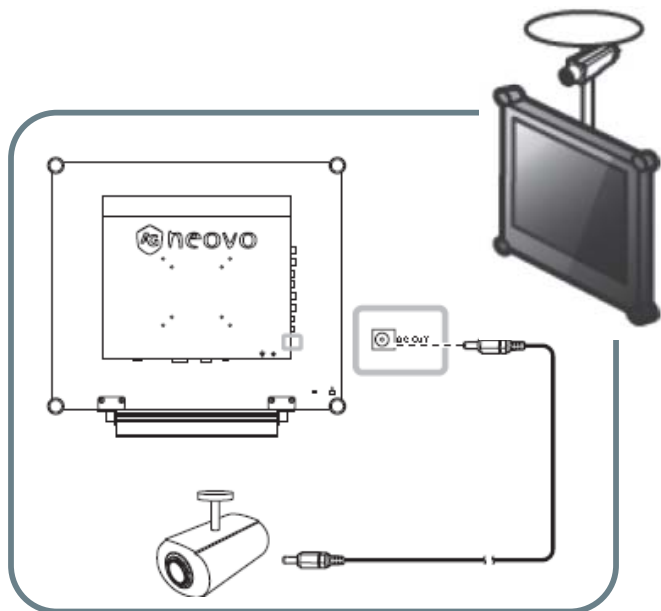
For complete global support, the RX-W32 provides the utmost compatibility for NTSC and PAL video systems



Strong metal casing for secure mounting

Power DC-out Design

To enjoy more hassle-free installation, RX-W32 offers users the power DC-out design to power connected security peripherals, such as CCTV camera



Extra protection of cutting off power automatically to avoid the connected device exceeding the power current

! Attention: ensure that the device you are connecting to conforms to the specifications before making any connections.



Passive Looping

Passive looping automatically terminates any malfunctioning display within the daisy chain system, allowing other displays to continually receive quality feeds without disruption.

Durable metal housing for added strength

RX-Series' metal housing design enhances the strength of monitor for impact proof and product durability

Special Feature

Advanced Image Platform™

RX-W32 incorporated with the latest image processing engine & innovations



Advanced Image Platform™:

- > Built-in Image Enhancer**
- > Smart Omni Viewer**

Solutions for optimised image quality and flexible image viewer options. Featuring Built-in Image Enhancer and Smart Omni Viewer, AG Neovo's cutting-edge image processing technology is incorporated into the displays to fulfill the demand of security and surveillance environments

Built-in Image Enhancer



Featuring 3D comb filter, 3D Deinterlace and Noise Reduction to solve image issues – offering abundant clarity to even the most demanding security environments.

> 3D Comb Filter

It phases signals to cancel out noise by overlaying the same image on itself and resolves cross colouring (rainbow swirl) and dot crawl in high bandwidth transmission

> 3D Deinterlace

It provides the best possible image quality for interlaced video signals to prevent image aliasing issues

> Noise Reduction

It combines the information in multiple frames of video on a pixel by pixel basis, which help generate more precise noise reduction with less motion blurring artifacts

> Frame Buffer Capability

It automatically improves the unstable frame (noise) problem caused by asynchronous video sync

Without 3D Comb Filter



With 3D Comb Filter



Resolves cross colouring (rainbow swirl) and dot crawl

Without 3D Deinterlace



With 3D Deinterlace



Prevents image aliasing issues such as blurring and flickering

Without Noise Reduction



With Noise Reduction



Reduces signal instability, providing crystal clear image

Special Feature

Smart Omni Viewer: PIP, PBP and VOV displays



It allows a security manager to use a PC and view a CCTV camera at the same time. It could also allow the manager to always have a video of important camera in the corner at all times

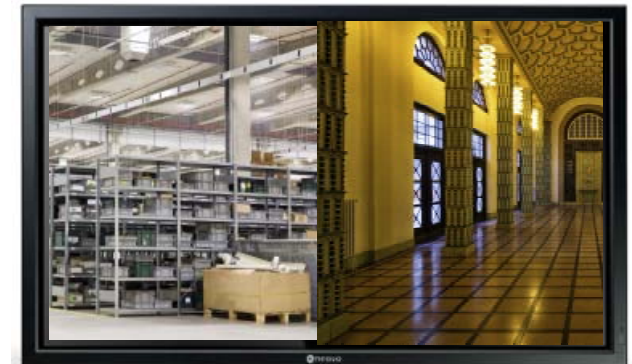
PIP (Picture in Picture)

It requires independent signal sources to supply the larger and the smaller picture



PBP (Picture by Picture)

It is a related feature showing two programmes side-by-side on the screen



VOV (Video on Video)

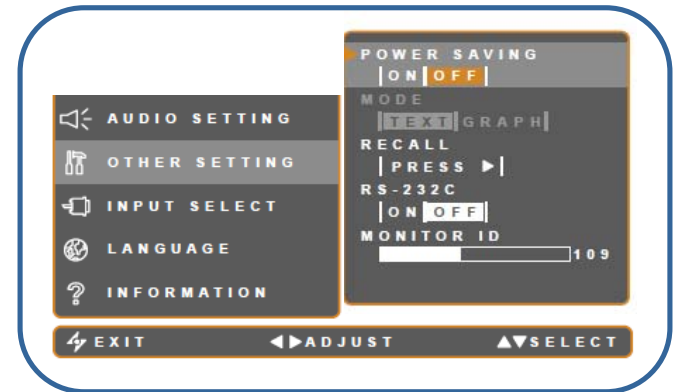
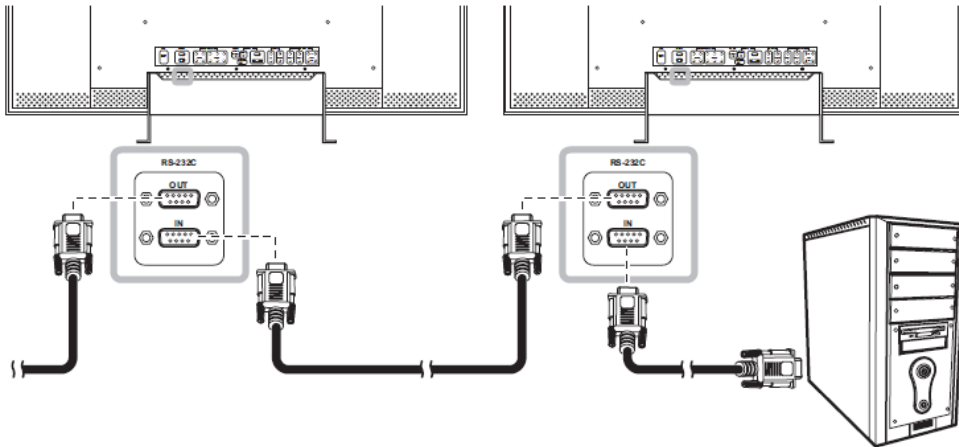
It requires independent video images to supply the larger and the smaller picture, which can connect to the video devices directly

Special Feature

RS-232 making multiple display control simple

By connecting a series of AG Neovo displays via RS-232, multiple displays can be controlled and operated easily and simultaneously on PC.

- ✓ RS-232, a standard of serial communication, is used for the communication between PC and displays.
- ✓ A maximum of 254 displays can be connected together.



Multiply Display Control (MDC) can be managed via OSD

Special Feature

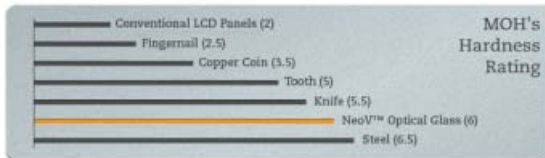
NeoV™ Optical Glass

Designed specifically to protect displays in multi-user and public environments, NeoV™ Optical Glass is the industry's most trusted hard glass technology



NeoV™ Optical Glass Benefits

- Display Panel Protection
- Anti-reflective & Scratch-resistant Coating
- Scratch-proof & Impact-safe
- High Brightness Transmittance
- Easy To Clean
- Professional Look & Feel



NeoV™ Optical Glass is the winner of "Best Innovation Award" from PC Magazine

Special Feature

Anti-Burn-in™ Technology

AG Neovo's Anti-Burn-in™ is a cutting-edge technology designed for preventing the displayed frame from being vaguely visible and residual when applying TFT LCD displays in surveillance environments under the static charge conditions for long period of time



Advantages of Anti-Burn-in™ technology:

- Secure Your Investment
- Built to Last
- Flexibility to Turn On / Off
- Easy to Operate
- See No Intermittent Image in Visualisation



The indication "ANTI-BURN-IN ON" will be shown for 5 seconds on the central of the TFT LCD displays when Anti-Burn-in™ starts running

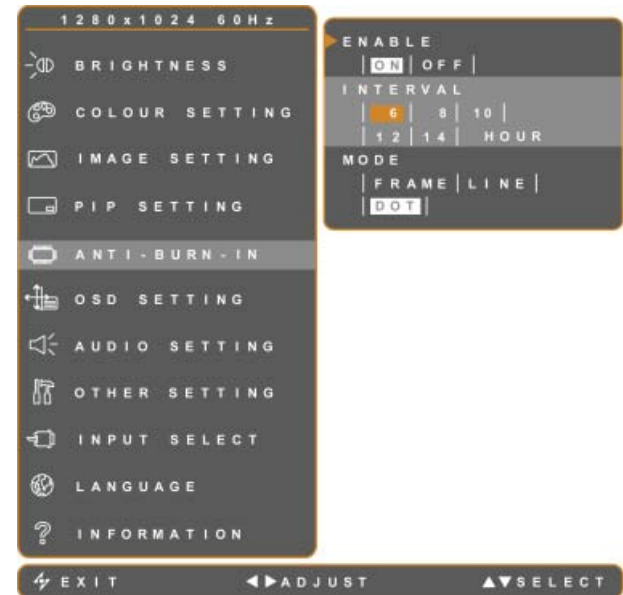
Special Feature

Anti-Burn-in™ Technology (page 2)

Add-on firmware design: Innovative designs that provide add-on value

Programmable Anti-Burn-in™

The cutting-edge innovation helps avoid panel burn-in under continued still picture display. Furthermore, the RX-W32 gives extra advanced programmable capability to adjust the settings at user's preference



With advanced Anti-Burn-in technology, user now can choose to enable Anti-Burn-in or disable this feature. In addition, the Interval and Mode methods can be programmable based upon the environments or specific requirements from the user.

Product Pictures (page 1)

Angle/Top View



Product Pictures (page 1)

Front/Angle View



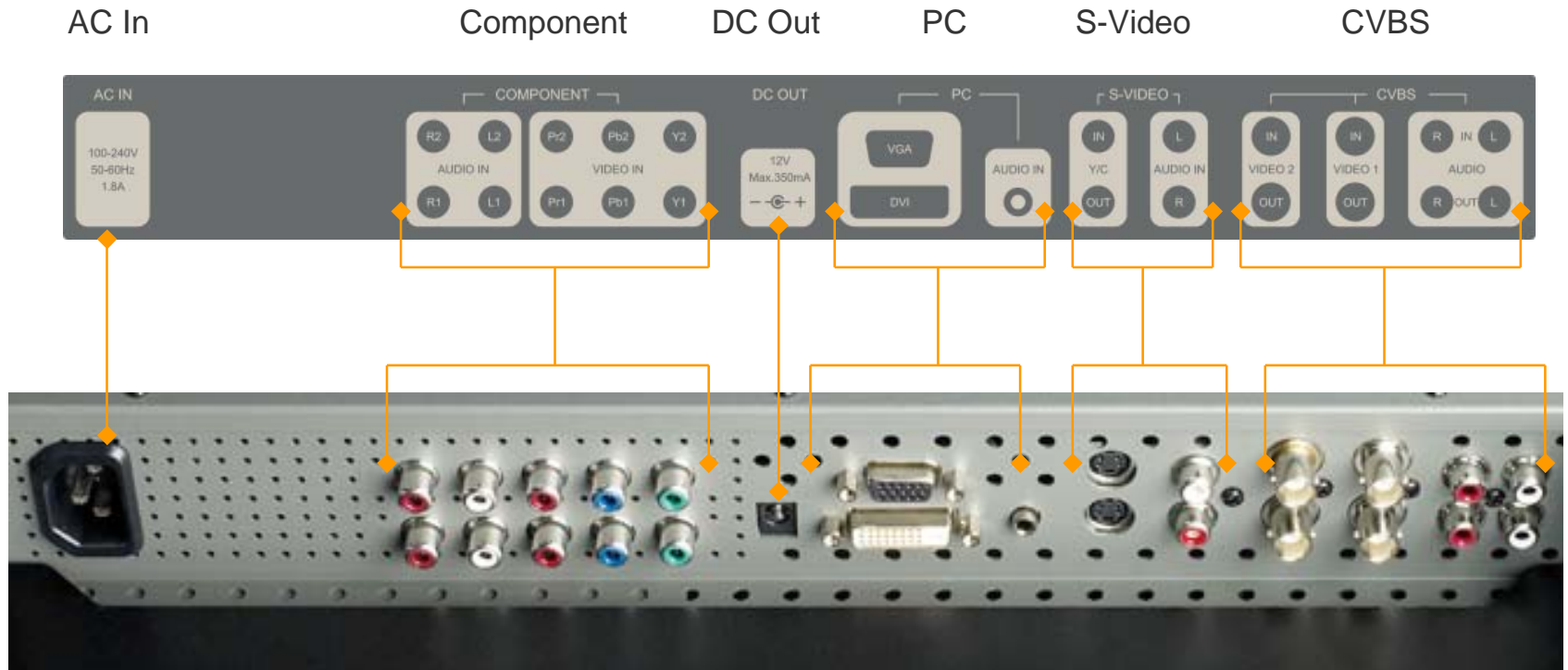
Product Pictures (page 2)

Angle/Rear View



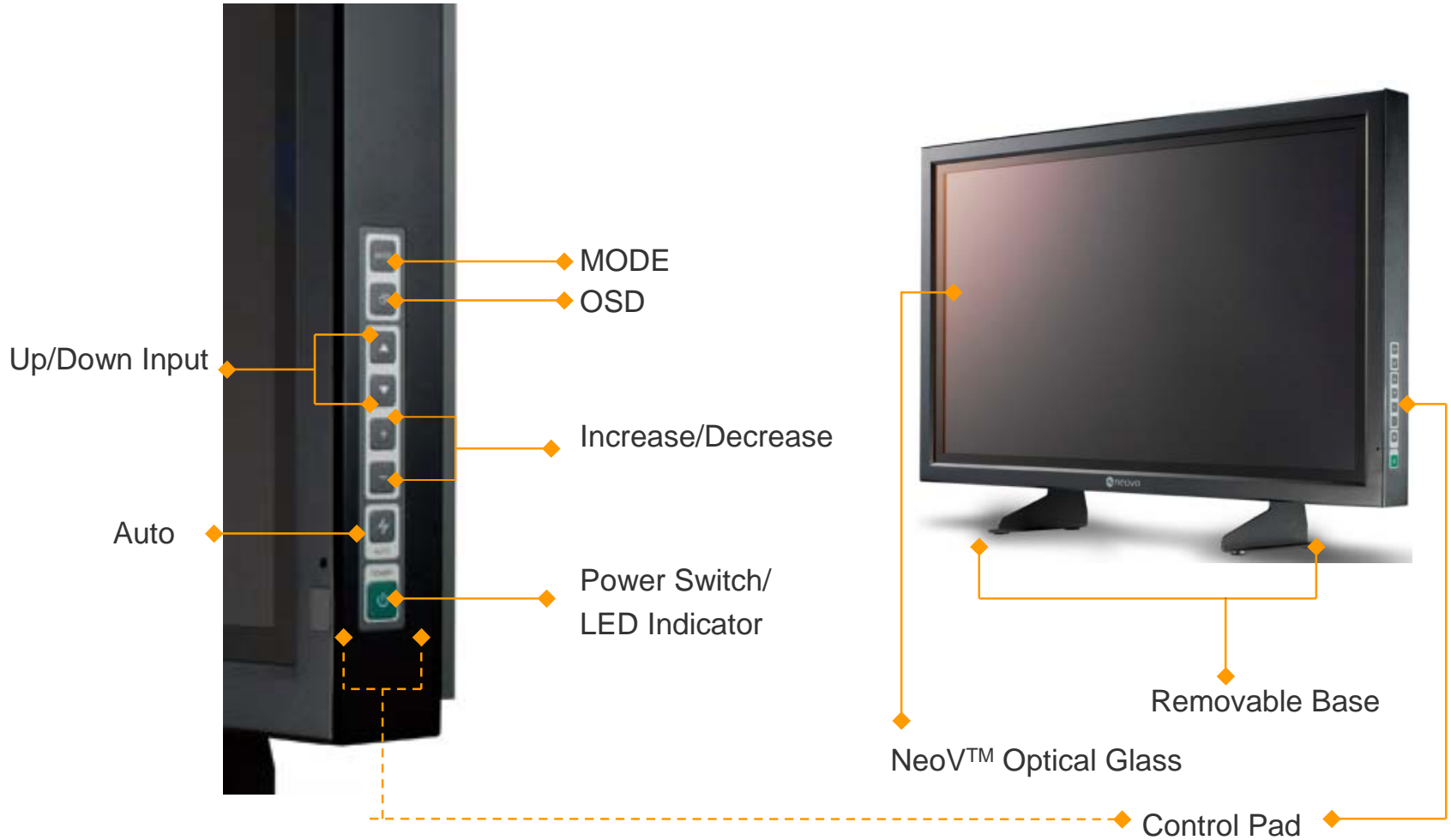
Product Pictures (page 3)

Function and Feature Highlights



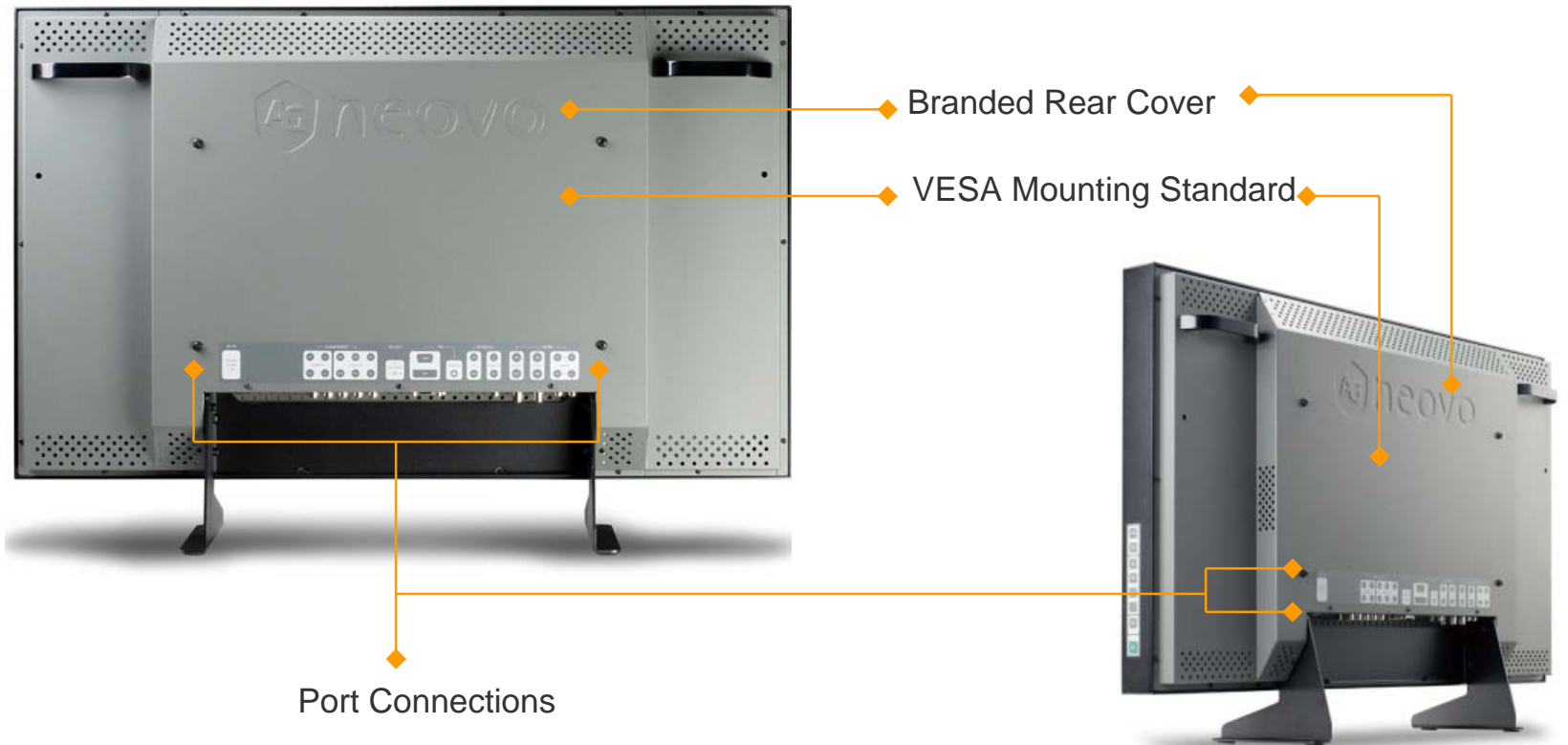
Product Pictures (page 4)

Function and Feature Highlights



Product Pictures (page 5)

Function and Feature Highlights



Accessories

Mounting Solutions

Wall Mount Kit



WMK-01

Display Stand, Arm & Others

HDMI-DVI Cable



CB-01



Thank You

All specifications are subject to change without prior notice.

© 1999-2012 AG Neovo. All rights reserved.

The name AG Neovo is a trademark of Associated Industries China, Inc.

All other trademarks are the property of their respective owners.

www.agneovo.com